



# Single Door Ice Fill Station (IFS) Manual



# PARTS

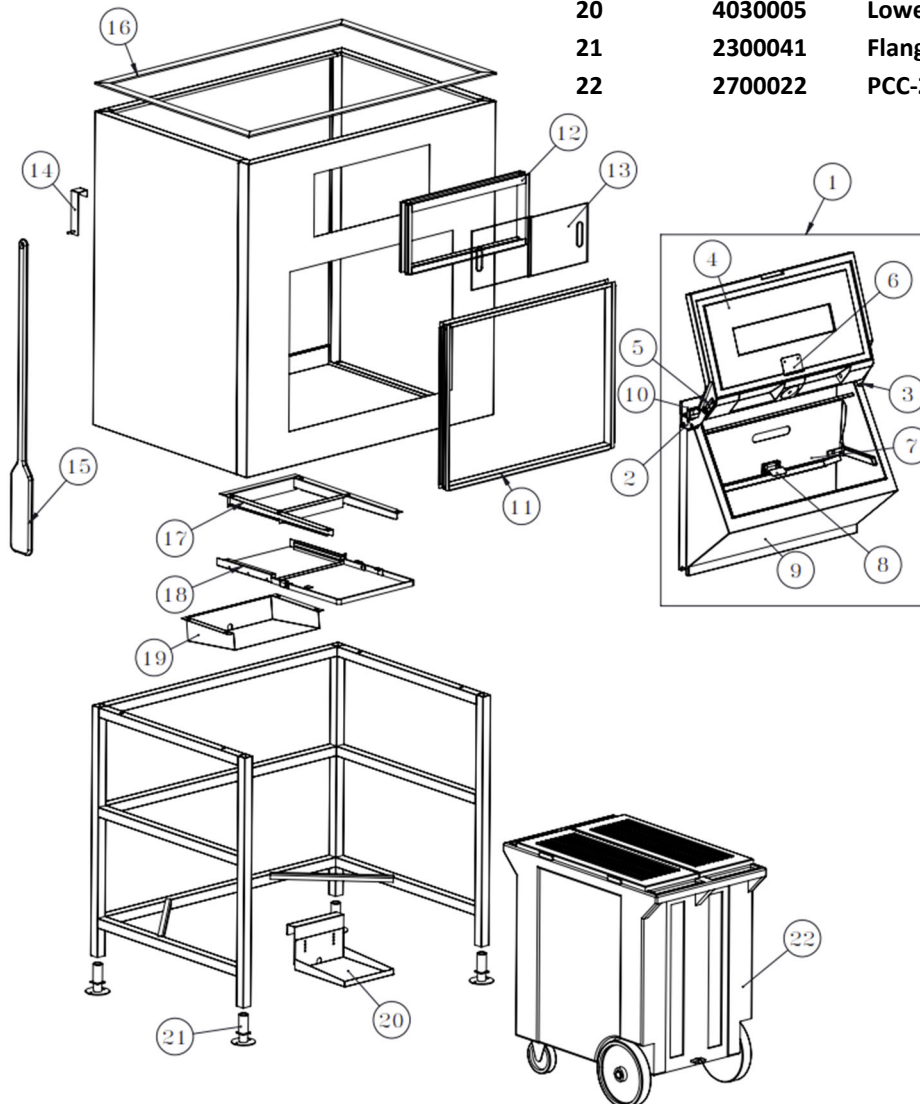


Toll Free Phone: 1-800-346-3246

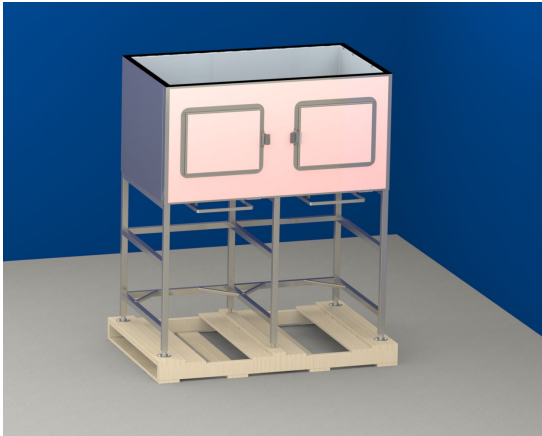
[www.kloppenberg.com](http://www.kloppenberg.com)

# Single Door Ice Fill Station (IFS)

Number	Part Number	Part Description
1	4050102	Large Snout Assembly
2	3050238	Poly Snout Door Hinge - Left
3	3050237	Poly Snout Door Hinge - Right
4	2710023	Large Snout Door
5	2300130	Power Pivot Hinge
6	2300134	Baffle Door Latch
7	4050103	Large Snout Baffle Assembly
8	3050239	Baffle Catch
9	2700021	Large Snout Adapter
10	4050107	Large Snout Retention Channel
11	4030042	Large Snout Extrusion - S/S Liner
12	4050047	View Window Extrusion - S/S Liner
13	4050065	View Window (set of 2)
14	3030052	Paddle Hanger
15	2700001	48" White Plastic Paddle
16	4030009	Gasket (Bin) 1.5"
17	4030001	Guillotine Slide Rail Assembly
18	4030000	Guillotine Assembly
19	4030028	Upper Drain Pan
20	4030005	Lower Drain Pan
21	2300041	Flanged Feet
22	2700022	PCC-250 Poly Cart



# INSTALLATION

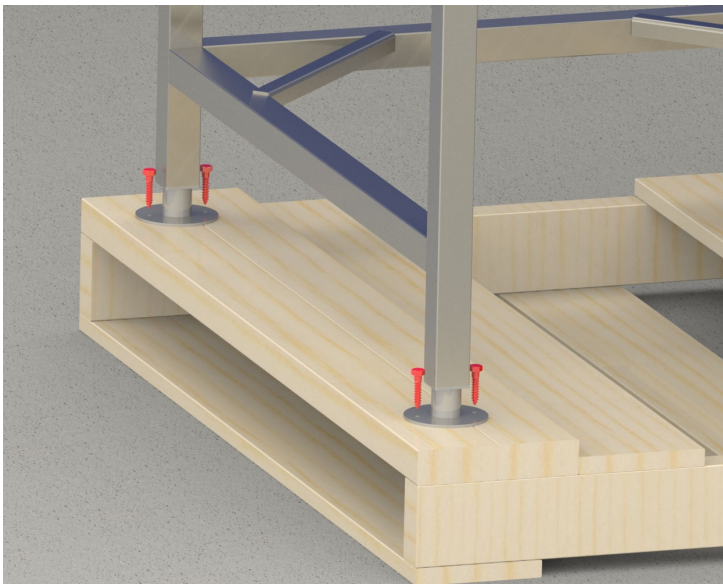


Remove Bin, Carts, and Contents from the bin (lower drain pan)

Peel PVC film from the front panel, shovel door.

Remove bin top (For poly tops remove H-Frame) and set aside.

**Save all packaging until machine is installed and running properly.**



Position transport system into desired location carefully to not damage legs or any functioning parts on the front, back, side or under the bin.

Remove lag bolts connecting flanged feet to pallet.

Remove Bin from Pallet.

Level the bin if needed adjust the feet by rotating the flange or bullet to level the unit.

Attach drain hoses to upper and lower pans and secure using pipe clamps.

Return Bin top (for poly top-ensure H-frame is in place )





## 36" SNOOT INSTALLATION INSTRUCTIONS WITH SNOOT RETENTION CHANNEL (PN: 4050107)

Using the primer provided, clean the area around the opening and the flat surface of the snout.

Locate the Snout Retention Channel (Figure 1) and seat onto the top channel of the snout and center (Figure 2). If Retention Channel is too tight to place in snout channel from above, slide one side of the channel in from either end and walk channel down until centered and seated

Place the top channel of the snout (with the Snout Retention Channel installed) in the opening of the bin and push up to secure in place. (Figure 3-A)

Drop the bottom channel of the snout into the opening while applying force upwards to fully seat the upper snout channel (Figure 3-B). Once bottom channel is properly seated, apply even force across the top of the Retention channel and snout downwards to fully seat snout in its permanent position.

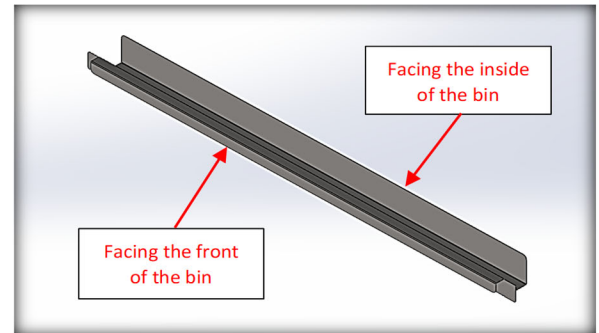


Figure 1

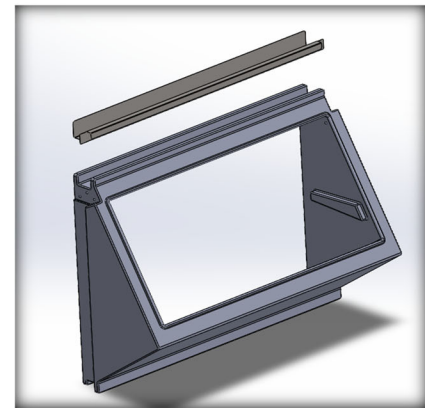


Figure 2

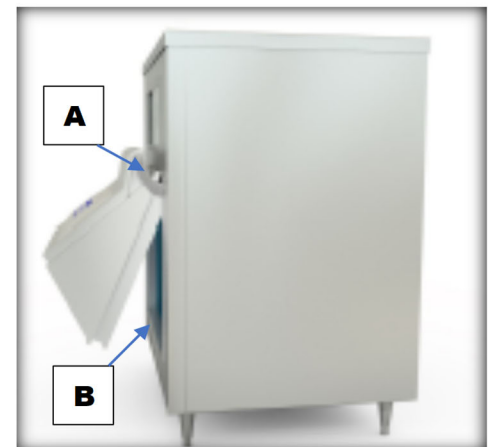


Figure 3

Using only the silicone provided (NSF 51 Certified DOWSIL 732 recommended), apply a generous amount around the inside AND outside perimeter of the Snout and Snout Retention Channel. (Figure 4- Black line around snout and Figure 5,6,7-Red lines around Snout Retention Channel). Factory installed silicone shown in Green in Figure 7 for reference only. Smooth the silicone edge to create a thorough seal.

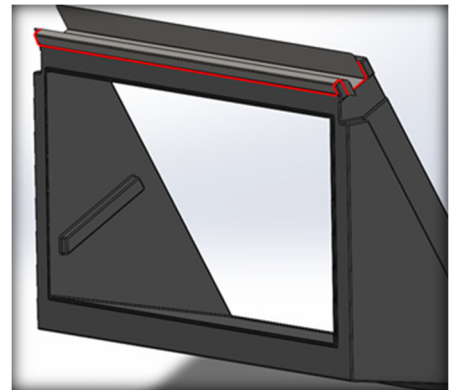
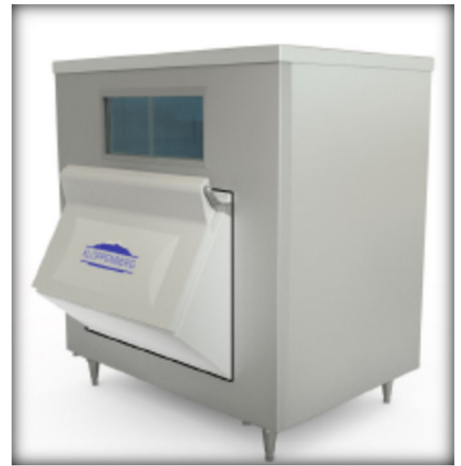


Figure 4

Figure 6

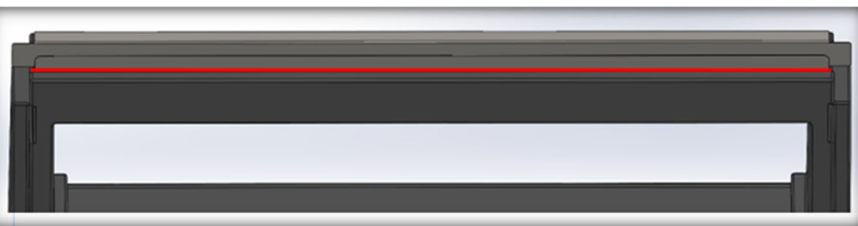
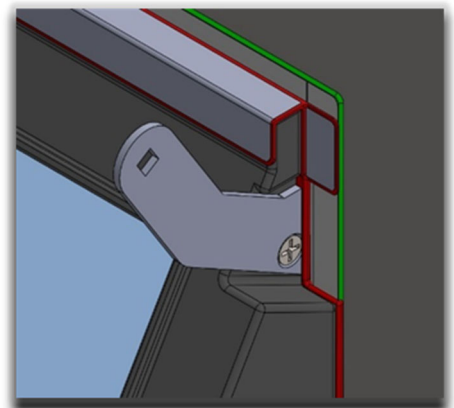


Figure 5



In some cases the snout will come with one or two NSF approved EDPM rubber shims. Do not remove this shim.

## IMPORTANT

**Allow silicone to dry for a full 24 hours before using the bin**

**\*\*Note – An insufficient seal will result in leaking around the snout\*\***

### For Poly Closure ONLY:

Place the provided gasket around the bin top where the ice maker will be installed.

# SERVICE



# CLEANING AND SANITATION INSTRUCTIONS

## \*\*NOTE\*\*

CHLORINE BASED CLEANERS MAY CAUSE CORROSION OF THE STAINLESS STEEL

### BEFORE USING ICE BIN

- Cleaned and sanitize all surfaces using a quaternary cleaner/sanitizer

### STAINLESS STEEL & POLY LINER CLEANING PROTOCOL

- **Bi-Monthly Cleaning**
  - With a clean dry cloth, wipe down internal ice bin ceiling, doors, snouts, baffles, and windows
- **Quarterly Cleaning (for heavy use bins conduct this cleaning monthly)**
  1. Empty bin completely
  2. Wash with mild soap and water, including augers, agitators, snouts, and baffles, and rinse thoroughly.
  3. Then use quaternary cleaner/sanitizer\* on all surfaces including augers, agitators, snouts, and baffles, and let dry per cleaning solution instructions.

\*Recommend EcoLab No Rinse Food Contact Cleaner Sanitizer.

### TROUBLE SHOOTING

- **Heavy deposit**
  1. Empty bin completely
  2. Wash with mild soap and water, including augers, agitators, snouts, and baffles. Use vigorous agitation on deposit areas. Rinse thoroughly.
  3. Then prepare a diluted nitric acid solution (5-10% HN03). Apply a light layer of the solution to the liner and allow to stand for 30 minutes. Rinse the liner with clean water.

**\*\*\*WARNING: HANDLE AND USE NITRIC ACID WITH CARE.**

**FOLLOW ALL MANUFACTURER/SUPPLIER INSTRUCTIONS\*\*\***

## \*\*RECOMMENDATION\*\*

To minimize bin contamination, use a water softening system that reduces ferrous minerals and particulates

# Baffle Replacement Instructions

## **\*NOTE\***

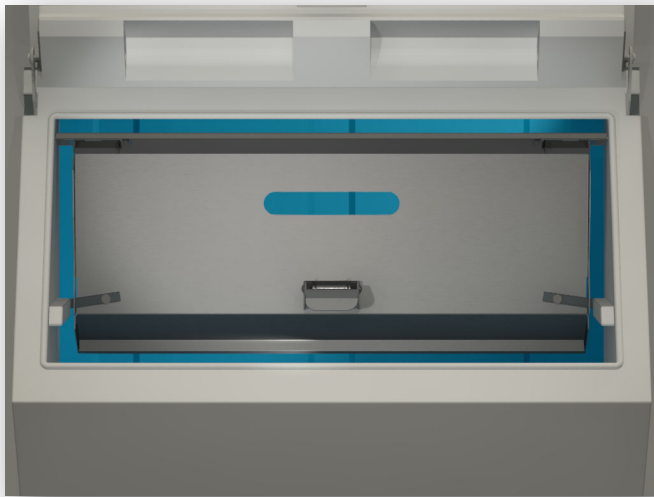
Ice level should be below baffle before removing the baffle

### Removal Instructions

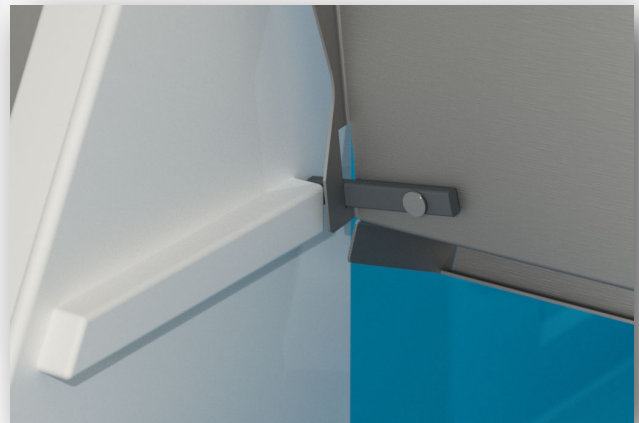
1. Locate the baffle assembly inside snout (figure 1).
2. Release the pivot arm catches and allow baffle to swing forward (figure 2).
3. Slide and hold the spring latches inward (figure 3) and rotate the baffle towards the opening and remove through snout.

### \*CAUTION\*

DO NOT place your hand in the paddle access slot.  
ONLY handle the baffle assembly by the outside edges.



**Figure 1**



**Figure 2**



**Figure 3**

### Installation Instructions

1. Slide the baffle through the snout opening.
2. Line up the spring latches and the holes on the side of the bin .
3. Pinch the spring in and release into the hole.
4. Lift both of the pivot arms up and slide the assembly back until it's past the pivot arm catch, then release the pivot arms to lock it in place.

# View Window & Extrusion Replacement Instructions



## Removing View Window

- Slide front view to center. Holding on each side of the window, push up and tilt window toward exterior of bin and remove. Repeat for second window.

## Removing Extrusion

- Using a razor blade, cut along exterior and interior perimeter silicone seam of the extrusion. Remove the top and bottom pieces of the extrusion, then the side pieces.
- Using a putty knife remove all remaining silicone from the perimeter of the opening.
- Clean the perimeter of the opening

## Replacing the Extrusion

- Apply primer to the perimeter of the opening.
- Starting with the side pieces; ensure the liner is placed inside the channel of the extrusion and snap into place. Make sure part is flush to bin. Once both sides are connected repeat step for top and bottom extrusion piece.
- Using NSF approved silicone, apply a generous amount around the inside AND outside perimeter of the extrusion. Smooth the silicone edge to create a thorough seal.

**Allow silicone to dry for a full 24 hours before using the bin**

## Replacing View Window

- Starting with back window (finger grips should be facing out towards side of bin). Put top side into the back channel and push up then place bottom side into bottom channel . Repeat for second window.



# Manufacturer's Warranty

**Obligations of Kloppenberg Products, LLC ("Kloppenberg") are exclusively limited to the original purchaser / registered owner.**

Products must be registered with Kloppenberg within 30 days of installation.

Kloppenberg warrants that it will repair or replace at its own expense any commercial ice bin of its manufacture bearing the name Kloppenberg due to a factory defect in material and/or workmanship occurring within the first twelve (12) months from the date of installation or eighteen (18) months from date of shipment providing, the ice bin has been installed, and maintained in accordance with the procedures set forth in the product manual provided with each ice bin.

This warranty does not include parts or labor coverage for a factory component failure, or other damage resulting from:

- Failure to clean and maintain as set forth in the product manual
- Adverse operating conditions
- Drain line malfunctions
- Water content irregularities for any reason

All decisions regarding defects in material or workmanship or accident, alteration or misuse or improper maintenance or installation shall be made by Kloppenberg and shall be final and binding upon the parties. All claims must include the ice bin model number, serial number, original date of installation and customer identification.

This warranty is applicable only in the United States and Canada.

Kloppenberg assumes no liability for incidental or consequential damages of any kind or for any damages resulting in whole or in part from misuse or inadequate maintenance or the product or any part thereof.

THE WARRANTY DESCRIBED SHALL BE IN LIEU OF ANY OTHER WARRANTY EXPRESS OR IMPLIED, INCLUDING BUT NOT LIMITED TO, ANY IMPLIED WARRANTY OF MERCHANTABILITY OR FITNESS FOR A PARTICULAR PURPOSE.

ALL SUBJECT WARRANTY CLAIMS MUST BE PREAUTHORIZED